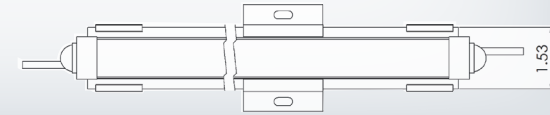




ColorMix

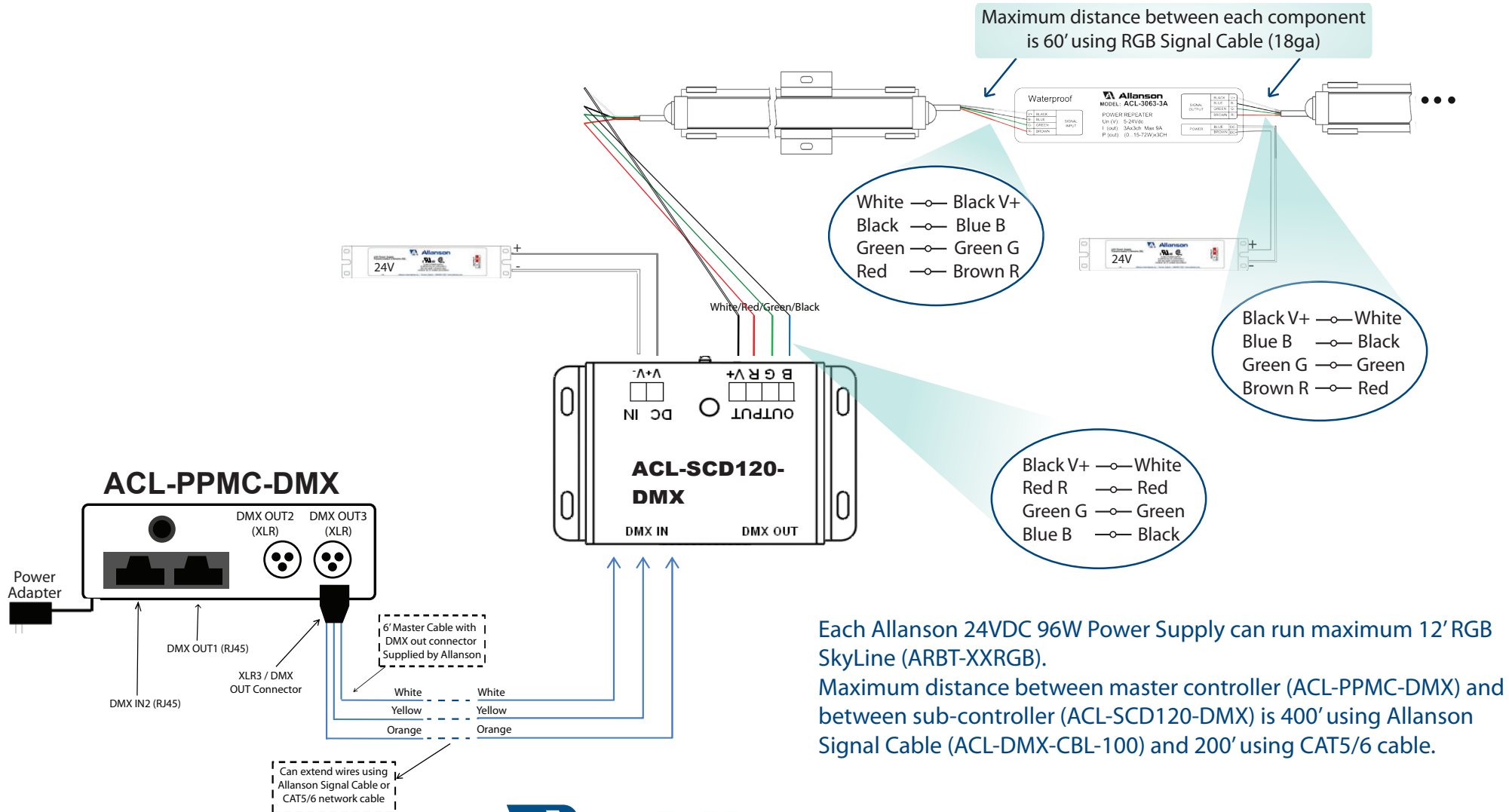
Lighting Solutions



WIRING DIAGRAM

ACL-PPMC-DMX with ACL-SCD120-DMX, ACL-3063-3A, & ARBT-XXRGB

Maximum distance between each component is 60' using RGB Signal Cable (18ga)



Each Allanson 24VDC 96W Power Supply can run maximum 12' RGB SkyLine (ARBT-XXRGB).
Maximum distance between master controller (ACL-PPMC-DMX) and between sub-controller (ACL-SCD120-DMX) is 400' using Allanson Signal Cable (ACL-DMX-CBL-100) and 200' using CAT5/6 cable.

